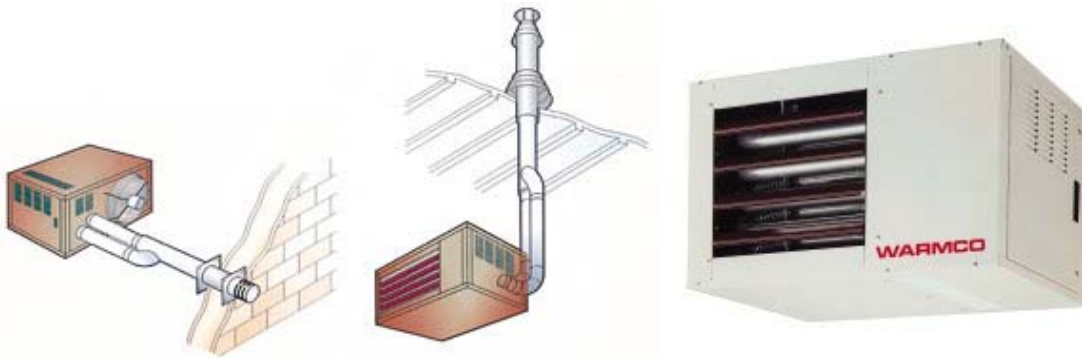


WARMCO REZNOR Room Sealed Gas Fired Unit Heaters

Warmco Reznor gas fired heaters are room sealed fan assisted balanced flue units designed for industrial and commercial applications.

The units are extremely versatile and due to their compact low profile design they require minimal headroom making them eminently suitable for applications where space is limited.

An integral venter fan exhausts the flue gasses and also induces a precise amount of fresh outdoor air for combustion thereby separating the combustion process from the heated space. This separated combustion technology eliminates the requirement for combustion air grilles to be fitted in the external walls of the building and makes the heaters ideally suited for installation in areas where draughts, dust or other non corrosive contaminants may be present.



The unique design of the Euro-C compact heater provides significant benefits at the most competitive cost.

- **Lower running costs**

Higher thermal efficiency (91% on net calorific value)

Higher seasonal efficiency (unnecessary loss of heat from the building via a conventional flue is eliminated)

Higher airflow (minimal heat stratification)

- **Lower installed costs**

Simple balanced flue (roof penetrations can be avoided)

Smaller flue sizes (reduced cost)

- **Lower maintenance costs**

(room sealed units prevent dirt or dust entering the combustion zone)

These combined savings allow additional cost of the higher specification units to be recovered in the first year of operation. A combined flue outlet/air inlet terminal reduces the number of building penetrations required. Expensive roof flashing can be eliminated by the use of the wall terminal.

TECHNICAL DATA

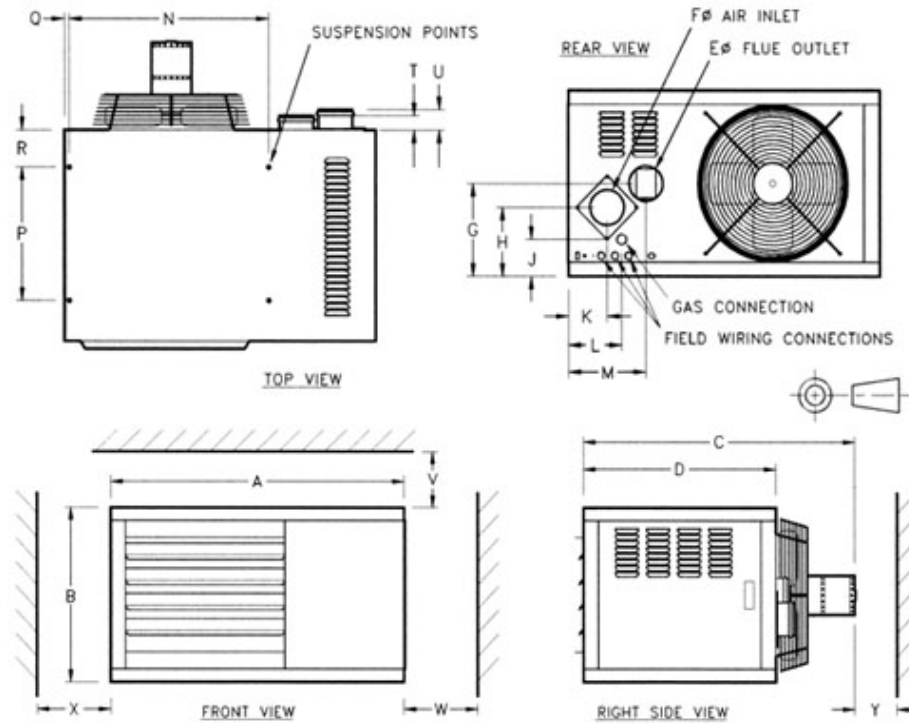
MODEL			C4011	C4018	C4024	C4030	C4036	C4047	C4060	C4072
NOMINAL HEAT INPUT		kW	10.8	18	24	29.8	35.8	46.4	60	72
	Nat. Gas G20	m ³ /h	1.26	2.1	2.79	3.49	4.2	5.4	6.7	8.39
GAS CONSUMPTION										
	Propane G31	kg/h	0.94	1.57	2.1	2.61	3.14	4.04	5.23	6.28
GAS CONNECTION ¹		Rc	¾	¾	¾	¾	¾	¾	¾	¾
AIR VOLUME @ 15°C		m ³ /h	1000	2350	3050	3900	4500	5050	7775	7265
THROW		m	7	15	26	27	30	31	32	34
FLUE DIAMETER		mm	80	100	100	100	130	130	130	130
COMBUSTION AIR INLET		mm	80	100	100	100	130	130	130	130
WALL OPENING		mm	125	140	140	140	185	185	185	185
ROOF OPENING		mm	125	150	150	150	200	200	200	200
MAXIMUM FLUE LENGTH ²		m	9	9	9	9	9	9	9	9
BALANCED FLUE		Overall Length mm	680	760	760	760	930	930	930	930
WALL OUTLET		External Length mm	148	220	220	220	195	195	195	195
BALANCED FLUE		Overall Length mm	1255	1360	1360	1360	2005	2005	2005	2005
ROOF OUTLET		Approx. External Length mm	551	765	765	765	627	627	627	627
MOUNTING HEIGHT ³		m	2.5-3.0	2.5-3.0	2.5-4.0	2.5-4.0	2.5-4.0	2.5-4.0	2.5-5.0	2.5-5.0
TOTAL ELECTRICAL RATING		kW	0.16	0.32	0.45	0.49	0.42	0.45	0.73	0.76

1 Not supply line size.

2 Up to 9 metres of additional pipe can be added to both flue and combustion air inlet, reduce by 1.5 metres for each 90° elbow.

3 To underside of heater.

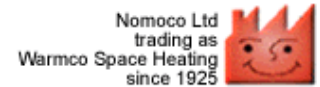
DIMENSION DATA



DIMENSIONS (mm)

	MODEL	C4011	C4018	C4024	C4030	C4036	C4047	C4060	C4072
A	WIDTH	753	753	967	967	967	967	1300	1300
B	HEIGHT	311	450	567	567	845	845	845	845
C	OVERALL LENGTH	751	871	940	940	895	895	898	898
D	CABINET LENGTH	596	596	654	654	652	652	652	652
E	FLUE OUTLET DIAMETER	80	100	100	100	130	130	130	130
F	AIR INLET DIAMETER	80	100	100	100	130	130	130	130
G	BASE TO FLUE OUTLET	170	339	442	442	720	720	720	720
H	BASE TO AIR INLET	230	225	343	343	508	508	508	508
J	BASE TO GAS INLET	103	109	116	116	185	185	182	182
K	SIDE TO AIR INLET	85	91	128	128	139	139	140	140

L	SIDE TO GAS INLET	99	99	163	163	150	150	153	153
M	SIDE TO FLUE OUTLET	182	172	227	227	216	216	206	206
N	SUSPENSION CENTRES	456	456	616	616	616	616	745	745
P	SUSPENSION CENTRES	406	406	406	406	406	406	406	406
Q	SIDE TO SUSPENSION POINT	14	14	14	14	14	14	218	218
R	BACK TO SUSPENSION POINT	25	25	123	123	120	120	120	120
T	FLUE OUTLET SPIGOT	78	50	50	50	50	50	50	50
U	AIR INLET SPIGOT	78	50	50	50	50	50	50	50
V	TOP CLEARANCE	50	50	150	150	150	150	150	150
W	ACCESS SIDE CLEARANCE	500	500	600	600	600	600	600	600
X	SIDE CLEARANCE	50	50	150	150	150	150	150	150
Y	REAR CLEARANCE	250	250	350	350	350	350	500	500



"setting the standard for warm air heating"

www.warmco.co.uk